

This tool should only be used by personnel who have the necessary skill, training and tools to do the job correctly and safely. Incorrect usage can result in personal injury, vehicle damage and / or loss of vehicle control.

Thank you for purchasing the innovative **FASTRAX™ Hands Free Adjustable Camber/Caster Gauge**. Your new gauge will now allow you to read accurate alignment angles as you adjust your suspension for optimal performance and handling. **FASTRAX™** can be used quickly and accurately in the shop and at the track. The tool is designed to be used and “zero set” for level racks or floors or reset to match track conditions.

FASTRAX™ displays camber angles over four degrees, positive or negative. Camber is the inward (negative) or outward (positive) tilt of the top of the wheel as viewed from the front. **FASTRAX™** also displays caster angles from four degrees negative to twelve degrees positive. Caster is a front wheel angle only and is viewed from the side. Positive caster is described when the upper ball joint is rearward of the lower ball joint thereby increasing handling stability and the returnability of the steering wheel to center.

USING FASTRAX™ ON LEVEL SURFACES

Measuring Camber: Slightly loosen the black clamping knob and rotate the adjusting knob (see Figure 1) to lengthen or shorten the tool. The **91000 FASTRAX™** adapts to most wheels from thirteen to eighteen inches in diameter. The **91010 FASTRAX™** adapts to most wheels from seventeen to twenty-two inches in diameter. Fit the tool so the guide studs (3) grasp either the inner or outer lip of the wheel rim. Adjust the tool to apply enough pressure for a snug fit and tighten the black clamping knob. In cases that the wheel has no rim or lip to grasp, simply hold the tool to the accessible flat surfaces and read your camber angles or changes.

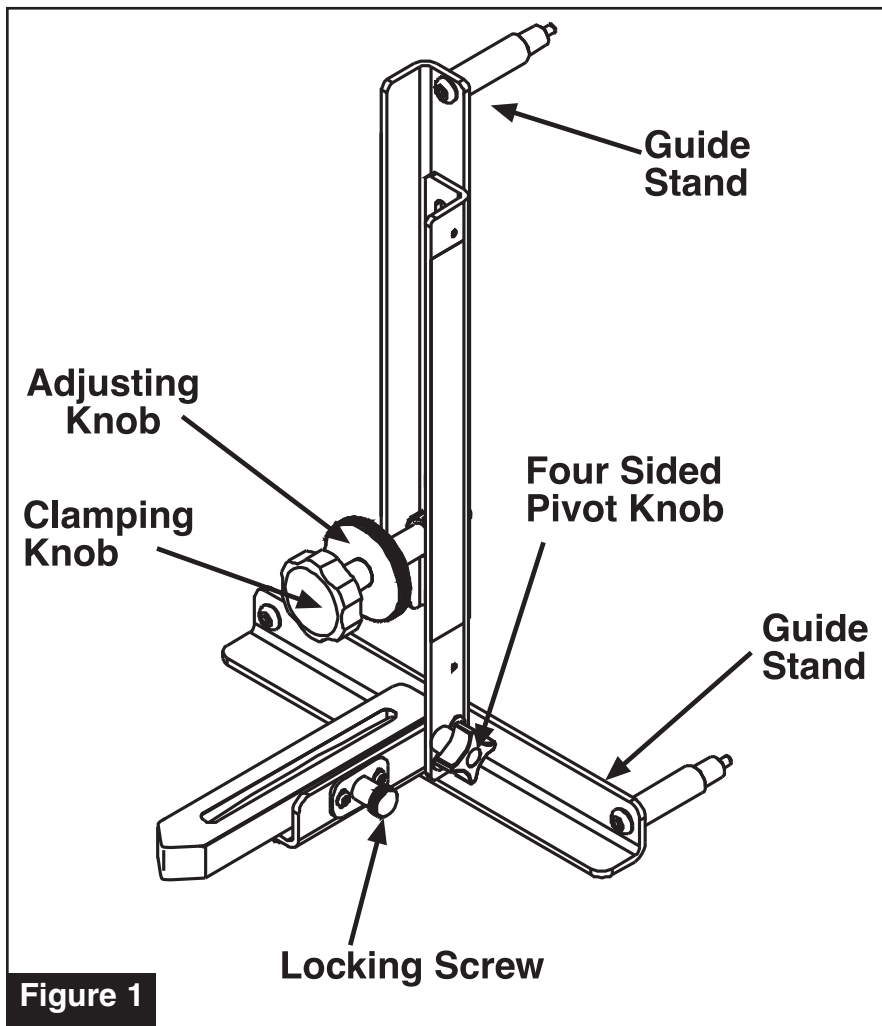


Figure 1

Measuring Caster: BEFORE checking caster angles, tighten the Four Sided Pivot Knob and unscrew the Locking Screw to allow movement of the vial block. **The angled tip of the vial block represents a 15 degree angle.** To determine Caster: Turn the front wheel “out” fifteen degrees (turn the front of the wheel away from the body fifteen degrees or until angled tip is parallel with the side of the vehicle). **While maintaining this position, raise/lower the vial block to “zero” on the Caster side of the vial block.** Next, turn the wheel back in so that the front of the tire is pointing “in” fifteen degrees (or until the angled tip is parallel with the side of the vehicle). **The center of the bubble (on the Caster side) will then display your accurate caster reading.**

USING FASTRAX™ ON UNEVEN SURFACES

With the Locking Screw engaged, the **FASTRAX™** has been “zero set” (or leveled) at the factory. If you are using the tool at locations that may not be level, **FASTRAX™** can be reset and “zero set” to adapt to the new location. Unscrew the Locking Screw to disengage the vial block. Place the tool on the ground, **FACING THE OPERATOR**, next to the tire. Raise/lower the vial block to **ZERO** on the Camber scale and tighten the Four Sided Pivot Knob. Replace the tool onto the wheel for your true angles. **REPEAT THIS PROCEDURE TO ZERO CAMBER ON EACH SIDE OF THE VEHICLE.**

***** Positive and negative camber degrees are clearly displayed on the left side of the vial and caster on the right side.**

There is no warranty stated or implied due to the inability to monitor the part's modification, installation, and use, except that Specialty Products Company warrants its products to be free from defects in material and workmanship for one (1) year after purchase under normal use. In that case, parts returned must be determined by Specialty Products to be defective and Specialty Products's obligations under that warranty are solely limited to repairing or replacing, at its option, any part proven defective.

Final determination of the suitability of the parts for use contemplated by the buyer is the sole responsibility of the buyer. Specialty Products Company shall not be liable for any special, direct, indirect, incidental, or consequential damages that might be claimed as a result of the failure of any part, including claims for delay, loss of profits or labor. Specialty Products Company shall not be liable for any damage or injury to persons or property resulting from improper installation or misuse of any part subject to this warranty. There are no other warranties expressed or implied extending beyond those set forth above.



Specialty Products Company®

P.O. Box 923 • Longmont, CO 80502 • (303) 772-2103 • Fax: (303) 772-1918 • www.specprod.com • www.spcperformance.com • Email: info@specprod.com
Toll Free Technical Hot Line: 1-800-525-6505

©2010 Specialty Products Company® • Printed in U.S.A. • Form No. 96000 • Rev. 9/10